



## **SPEC SHEET**

SPS-12

MODEL

# MONROE



### CATALOG SIZES

60

80

100

## DESCRIPTION

Custom mirror with ambient lighting

## ASSEMBLY MATERIALS

### ELECTRICAL MATERIALS

LED Strip	<i>LED IP44 SMD 120 dots/m 12v: - Bi-LED light (3000-6000K)</i>
Transformer	<i>Class II   220-240V   50Hz   IP44</i>
Connection box	<i>IP44   2 poles</i>
Features	<i>Frontal IR sensor, demister, light dimmer</i>

### NON ELECTRICAL MATERIALS

Frame	-
Back frame	<i>PVC strip</i>
Glass	<i>Mirror glass. 4mm. Polished edge</i>
Hangers	<i>Galvanized steel</i>
General adhesive	<i>Neutral silicon for glass</i>
LED adhesive	<i>Fast-drying adhesive</i>
Wall anchors	<i>Plugs+Hooks (2+2) not for drywall</i>
Protections	-
Instructions	<i>CLBN LED Mirror instructions</i>

### PACKAGING

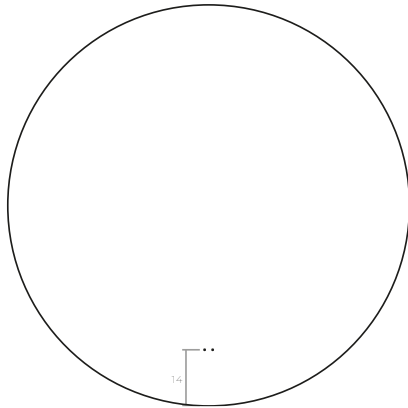
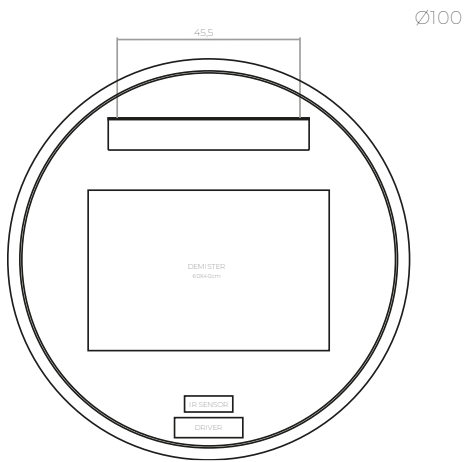
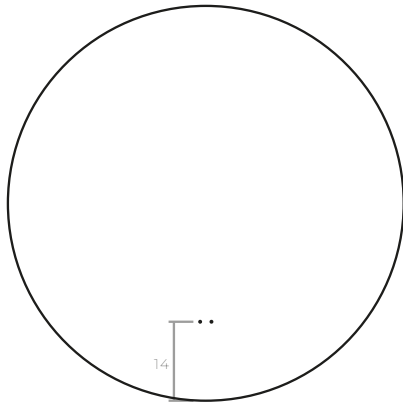
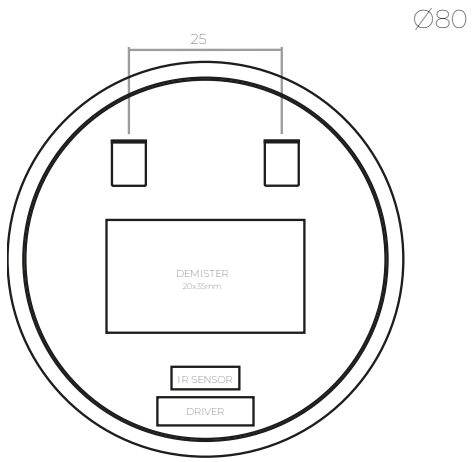
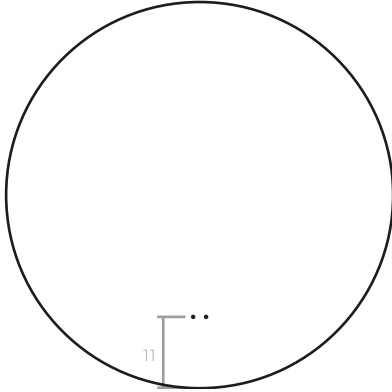
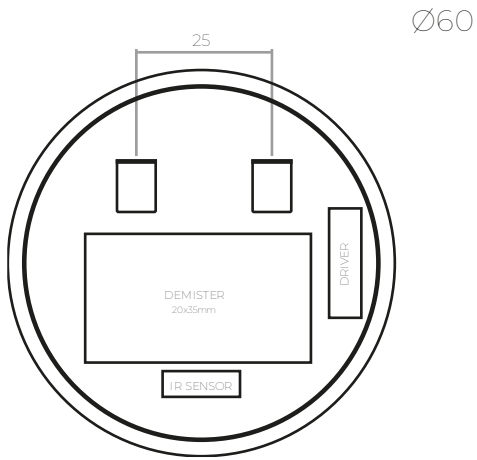
Interior protection	<i>Expanded PS slotted (35x40mm)</i>
Outer package	<i>Cardboard box Cardboard corner protectors (x4)</i>
ID label	<i>100x150 label (client / ref. / descrip.) 100x38 label (client / ref. / descrip.)</i>

### CERTIFICATIONS

*AIDIMME: 22003059 (SECURITY)*

*IMQ TECNOCREA: GENEX210101.00 (HARMONIZED)*

DRAWING



## FEATURES



REF: AV

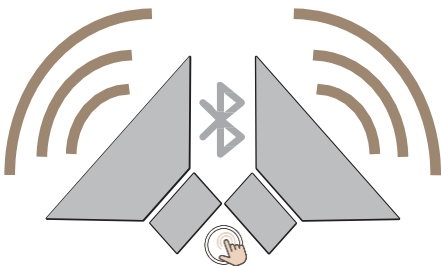
**DEMISTER FILM.** Heated film installed on the back of the mirror.

\*Up to 120cm: 1 unit. From 120 to 150cm: 2 units. 160cm or more: 3 units.



**FRONTAL INFRARED SENSOR.** Acts to turn on/off LED and Demister, change Bi-LED ambient lighting and dim or increase light intensity.

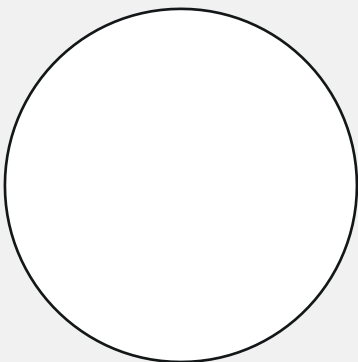
## OPTIONAL ELEMENTS



REF: BT

**BLUETOOTH SPEAKERS.** Pair of BT speakers installed on the back of the mirror.

\*Touch sensor included.



REF: AM

**MAGNIFYING GLASS.** 3x magnifying glass with a diameter of 12. Sticks magnetically to the surface of the mirror.

## POWERS AND LUMENS

### MIRROR

SIZE	POWER	LUMENS
60	16 W	1750 lm
80	22 W	2350 lm
100	25 W	3650 lm

### OPTIONAL ELEMENTS

	POWER	LUMENS
<b>DEMISTER</b>		
40X40*	40	X
<b>MAGNIFICATION</b>	6	650
<b>BT SPEAKERS</b>	3	X

\* The standard size of the demister film used by ID BATH AND SPA Ltd is 40x40cm. However, the size of the mirror or the placement of optional elements may affect its installation, requiring the use of panels with different dimensions.